

Transformers

Open Core and Coil Transformers

Machine Tool and Control Power

Description

Type IP transformers are core and coil units designed for machine tool, industrial control, panelboard, and general-purpose applications. These designs are now welded core and encapsulated to provide the highest quality electrical performance. The transformer coil is completely surrounded by epoxy, making the unit impervious to external elements. The lamination core is welded to provide superior quiet performance.

Several types of terminations are available to simplify installation. These include primary and secondary leads out, integral fuse, and spade-type terminals and our standard which is a touch proof terminal block. Consult your local GE Energy Sales Office for complete technical applications data.

- Standards:** Type IP units conform to NEMA ST20. They are UL listed under UL-506, File E—2739, and C-UL listed.
- Insulation Classes:** Generally, 150 VA and below are 105°C insulation class, 55°C rise. 200 VA and above are 185°C (NEMA), 180°C (UL) insulation class, 115°C rise. Maximum surface temperature rise is 65°C above ambient.
- Frequency:** 60 Hertz is standard; 50 Hertz is available as an option.
- Voltage Regulation:** All designs 2.0 kVA and below are compensated for voltage drop. Generally, this compensation ranges from 10% in the smallest rating to 3% for the largest. All machine tool designs meet or exceed NMTBA regulation requirements.
- Series-Multiple Secondary Connections:** Transformers with 120/240 V secondaries (series-multiple) may be connected for 120 V, 240 V or 240/120 V three-wire. Jumpers are provided.
- Overcurrent Protection:** Type IP transformers are low impedance transformers that require overcurrent protection for most applications. They provide for optional integral primary and/or secondary fusing.
- Mounting Dimensions:** Type IP transformers are lightweight, small, and designed for minimum mounting dimensions. Many units will fit competitors mounting footprints.



Machine Tool

Machine Tool Applications: Single-Phase (9T58K)
 Product Tables15-2
 Control: Single-Phase (9T58K) Product Tables15-3
 Options and Fusing Guide15-5
 Machine Tool Applications: Wiring Diagrams15-6
 Outlines and Dimensions15-7

CE-Rated

Product Tables (9T58E)15-8

Dry-Type/Cased

Isolated, General Purpose, Single-Phase,
 (9T51B and 9T21B) Product Tables15-9
 Isolated, CE-Rated (9T51E) Product Tables15-12
 Dimensions and Weights15-13
 Wiring Diagrams15-14



Transformers

Open Core and Coil Transformers

Machine Tool Applications

Single-Phase

60 Hz Terminal Board Connection

| Input Voltage | Output Voltage | KVA | Frame Size | Inrush VA @ .20 PF, 95% Sec. Volt | Wiring Diagram No. ¹ | Product Number | List Price GO-80 |
|---------------------------------------|---------------------|-------|------------|--------------------------------------|------------------------------------|-------------------|---------------------|
| 220 x 440, 230 x 460, 240 x 480 Volts | 110, 115, 120 Volts | 0.05 | 6100 | 193 | 1 | 9T58K0042 | \$25.00 |
| 220 x 440, 230 x 460, 240 x 480 Volts | 110, 115, 120 Volts | 0.075 | 6125 | 303 | 1 | 9T58K0043 | \$29.00 |
| 220 x 440, 230 x 460, 240 x 480 Volts | 110, 115, 120 Volts | 0.1 | 8100 | 396 | 1 | 9T58K0044 | \$33.00 |
| 220 x 440, 230 x 460, 240 x 480 Volts | 110, 115, 120 Volts | 0.15 | 8150 | 724 | 1 | 9T58K0045 | \$37.00 |
| 220 x 440, 230 x 460, 240 x 480 Volts | 110, 115, 120 Volts | 0.2 | 8175 | 821 | 1 | 9T58K0046 | \$46.00 |
| 220 x 440, 230 x 460, 240 x 480 Volts | 110, 115, 120 Volts | 0.25 | 8200 | 1034 | 1 | 9T58K0047 | \$54.00 |
| 220 x 440, 230 x 460, 240 x 480 Volts | 110, 115, 120 Volts | 0.3 | 8250 | 1037 | 1 | 9T58K0048 | \$60.00 |
| 220 x 440, 230 x 460, 240 x 480 Volts | 110, 115, 120 Volts | 0.375 | 8250 | 1441 | 1 | 9T58K0049 | \$69.50 |
| 220 x 440, 230 x 460, 240 x 480 Volts | 110, 115, 120 Volts | 0.5 | 10225 | 2027 | 1 | 9T58K0050 | \$79.00 |
| 220 x 440, 230 x 460, 240 x 480 Volts | 110, 115, 120 Volts | 0.75 | 12225 | 3092 | 1 | 9T58K0051 | \$110.00 |
| 220 x 440, 230 x 460, 240 x 480 Volts | 110, 115, 120 Volts | 1 | 12300 | 4494 | 1 | 9T58K0052 | \$135.00 |
| 220 x 440, 230 x 460, 240 x 480 Volts | 110, 115, 120 Volts | 1.5 | 14225 | 5156 | 1 | 9T58K0053 | \$185.00 |
| 220 x 440, 230 x 460, 240 x 480 Volts | 110, 115, 120 Volts | 2 | 14300 | 9193 | 1 | 9T58K0054 | \$249.00 |
| 220 x 440, 230 x 460, 240 x 480 Volts | 110, 115, 120 Volts | 3 | 14475 | 14513 | 1 | 9T58K0055 | \$331.00 |

50/60 Hz Terminal Board Connection

| Input Voltage | Output Voltage | KVA | Frame Size | Inrush VA @ .20 PF, 95% Sec. Volt | Wiring Diagram No. ¹ | Product Number | List Price GO-80 |
|-------------------|----------------|-------|------------|--------------------------------------|------------------------------------|-------------------|---------------------|
| 230/460/575 Volts | 115/95 Volts | 0.05 | 6100 | 196 | 2 | 9T58K0062 | \$36.00 |
| 230/460/575 Volts | 115/95 Volts | 0.075 | 8100 | 278 | 2 | 9T58K0063 | \$42.00 |
| 230/460/575 Volts | 115/95 Volts | 0.1 | 8150 | 445 | 2 | 9T58K0064 | \$45.00 |
| 230/460/575 Volts | 115/95 Volts | 0.15 | 8200 | 663 | 2 | 9T58K0065 | \$57.50 |
| 230/460/575 Volts | 115/95 Volts | 0.2 | 8200 | 864 | 2 | 9T58K0066 | \$65.00 |
| 230/460/575 Volts | 115/95 Volts | 0.25 | 8250 | 1137 | 2 | 9T58K0067 | \$77.00 |
| 230/460/575 Volts | 115/95 Volts | 0.3 | 10225 | 1412 | 2 | 9T58K0068 | \$87.00 |
| 230/460/575 Volts | 115/95 Volts | 0.375 | 10225 | 1670 | 2 | 9T58K0069 | \$96.00 |
| 230/460/575 Volts | 115/95 Volts | 0.5 | 10225 | 1822 | 2 | 9T58K0070 | \$104.00 |
| 230/460/575 Volts | 115/95 Volts | 0.75 | 12300 | 3524 | 2 | 9T58K0071 | \$140.00 |
| 230/460/575 Volts | 115/95 Volts | 1 | 14225 | 4392 | 2 | 9T58K0072 | \$194.00 |
| 230/460/575 Volts | 115/95 Volts | 1.5 | 14300 | 6753 | 2 | 9T58K0073 | \$251.00 |
| 230/460/575 Volts | 115/95 Volts | 2 | 14475 | 11563 | 2 | 9T58K0074 | \$306.00 |
| 208/277/380 Volts | 115/95 Volts | 0.05 | 6150 | 217 | 3 | 9T58K0082 | \$36.00 |
| 208/277/380 Volts | 115/95 Volts | 0.075 | 8100 | 322 | 3 | 9T58K0083 | \$42.00 |
| 208/277/380 Volts | 115/95 Volts | 0.1 | 8150 | 464 | 3 | 9T58K0084 | \$45.00 |
| 208/277/380 Volts | 115/95 Volts | 0.15 | 8200 | 761 | 3 | 9T58K0085 | \$57.50 |
| 208/277/380 Volts | 115/95 Volts | 0.2 | 8200 | 837 | 3 | 9T58K0086 | \$65.00 |
| 208/277/380 Volts | 115/95 Volts | 0.25 | 8250 | 1198 | 3 | 9T58K0087 | \$77.00 |
| 208/277/380 Volts | 115/95 Volts | 0.3 | 10225 | 1409 | 3 | 9T58K0088 | \$87.00 |
| 208/277/380 Volts | 115/95 Volts | 0.375 | 10225 | 1674 | 3 | 9T58K0089 | \$96.00 |
| 208/277/380 Volts | 115/95 Volts | 0.5 | 10225 | 1821 | 3 | 9T58K0090 | \$104.00 |
| 208/277/380 Volts | 115/95 Volts | 0.75 | 12300 | 3771 | 3 | 9T58K0091 | \$140.00 |
| 208/277/380 Volts | 115/95 Volts | 1 | 14225 | 4234 | 3 | 9T58K0092 | \$194.00 |
| 208/277/380 Volts | 115/95 Volts | 1.5 | 14300 | 7091 | 3 | 9T58K0093 | \$251.00 |
| 208/277/380 Volts | 115/95 Volts | 2 | 14475 | 11729 | 3 | 9T58K0094 | \$306.00 |

¹See page 15-6 for wiring diagrams.

Factory- or Field-Installed Options

Secondary Fusing—Factory- or field-installed secondary fuse clips are available. They are restricted to units with terminal strips and a single secondary voltage or secondary with one tap.

Dual Primary and Secondary Fusing—Factory- or field-installed dual primary and secondary fusing is available on all units, including leads out and multiple secondary voltages.

Leads Out—Terminal strip is replaced by rugged primary and secondary leads emanating from the top of the encapsulated coil.



Transformers

Open Core and Coil Transformers

Control

Single-Phase

60 Hz Terminal Board Connection

| Input Voltage | Output Voltage | KVA | Frame Size | Wiring Diagram No. ² | Product Number | List Price GO-80 |
|-----------------|----------------|-------|------------|---------------------------------|----------------|------------------|
| 240 x 480 Volts | 120/240 Volts | 0.05 | 6100 | 4 | 9T58K2802 | \$36.00 |
| 240 x 480 Volts | 120/240 Volts | 0.075 | 6125 | 4 | 9T58K2803 | \$42.00 |
| 240 x 480 Volts | 120/240 Volts | 0.1 | 8100 | 4 | 9T58K2804 | \$45.00 |
| 240 x 480 Volts | 120/240 Volts | 0.15 | 8150 | 4 | 9T58K2805 | \$57.50 |
| 240 x 480 Volts | 120/240 Volts | 0.2 | 8175 | 4 | 9T58K2806 | \$65.00 |
| 240 x 480 Volts | 120/240 Volts | 0.25 | 8200 | 4 | 9T58K2807 | \$73.00 |
| 240 x 480 Volts | 120/240 Volts | 0.3 | 8200 | 4 | 9T58K2808 | \$76.00 |
| 240 x 480 Volts | 120/240 Volts | 0.375 | 8250 | 4 | 9T58K2809 | \$96.00 |
| 240 x 480 Volts | 120/240 Volts | 0.5 | 10225 | 4 | 9T58K2810 | \$104.00 |
| 240 x 480 Volts | 120/240 Volts | 0.75 | 12225 | 4 | 9T58K2811 | \$128.00 |
| 240 x 480 Volts | 120/240 Volts | 1 | 12300 | 4 | 9T58K2812 | \$164.00 |
| 240 x 480 Volts | 120/240 Volts | 1.5 | 14225 | 4 | 9T58K2813 | \$215.00 |
| 240 x 480 Volts | 120/240 Volts | 2 | 14300 | 4 | 9T58K2814 | \$274.00 |
| 240 x 480 Volts | 120/240 Volts | 3 | 14475 | 4 | 9T58K2815 | \$360.00 |
| 600 Volts | 120/240 Volts | 0.1 | 8100 | 5 | 9T58K2824 | \$45.00 |
| 600 Volts | 120/240 Volts | 0.2 | 8175 | 5 | 9T58K2826 | \$65.00 |
| 600 Volts | 120/240 Volts | 0.3 | 8200 | 5 | 9T58K2828 | \$73.00 |
| 600 Volts | 120/240 Volts | 0.5 | 10225 | 5 | 9T58K2830 | \$104.00 |
| 600 Volts | 120/240 Volts | 1 | 12300 | 5 | 9T58K2832 | \$194.00 |
| 600 Volts | 120/240 Volts | 2 | 14300 | 5 | 9T58K2834 | \$306.00 |
| 600 Volts | 120/240 Volts | 3 | 14475 | 5 | 9T58K2835 | \$398.00 |
| 120 x 240 Volts | 120/240 Volts | 0.1 | 8100 | 6 | 9T58K2907 | \$44.00 |
| 120 x 240 Volts | 120/240 Volts | 0.2 | 8175 | 6 | 9T58K2909 | \$65.50 |
| 120 x 240 Volts | 120/240 Volts | 0.3 | 8200 | 6 | 9T58K2911 | \$72.00 |
| 120 x 240 Volts | 120/240 Volts | 0.5 | 10225 | 6 | 9T58K2913 | \$101.00 |
| 120 x 240 Volts | 120/240 Volts | 0.75 | 12225 | 6 | 9T58K2914 | \$121.00 |
| 120 x 240 Volts | 120/240 Volts | 1 | 12300 | 6 | 9T58K2915 | \$155.00 |
| 120 x 240 Volts | 120/240 Volts | 2 | 14300 | 6 | 9T58K2917 | \$261.00 |
| 120 x 240 Volts | 120/240 Volts | 3 | 14475 | 6 | 9T58K2918 | \$344.00 |

60 Hz Terminal Board Connection

| Input Voltage | Output Voltage | KVA | Frame Size | Wiring Diagram No. ² | Product Number | List Price GO-80 |
|-----------------|----------------|-------|------------|---------------------------------|----------------|------------------|
| 120 x 240 Volts | 12/24 Volts | 0.05 | 6100 | 7 | 9T58K2873 | \$29.00 |
| 120 x 240 Volts | 12/24 Volts | 0.075 | 6125 | 7 | 9T58K2874 | \$35.00 |
| 120 x 240 Volts | 12/24 Volts | 0.1 | 8100 | 7 | 9T58K2875 | \$39.00 |
| 120 x 240 Volts | 12/24 Volts | 0.15 | 8150 | 7 | 9T58K2876 | \$48.50 |
| 120 x 240 Volts | 12/24 Volts | 0.2 | 8175 | 7 | 9T58K2877 | \$58.50 |
| 120 x 240 Volts | 12/24 Volts | 0.25 | 8200 | 7 | 9T58K2878 | \$62.50 |
| 120 x 240 Volts | 12/24 Volts | 0.3 | 8200 | 7 | 9T58K2879 | \$67.00 |
| 240 x 480 Volts | 12/24 Volts | 0.05 | 6100 | — | 9T58K3164 | \$34.50 |
| 240 x 480 Volts | 12/24 Volts | 0.1 | 8100 | — | 9T58K4132 | \$40.50 |
| 240 x 480 Volts | 12/24 Volts | 0.15 | 8150 | — | 9T58K4133 | \$48.50 |
| 240 x 480 Volts | 12/24 Volts | 0.25 | 8200 | — | 9T58K3024 | \$62.50 |
| 208 x 240 Volts | 12/24 Volts | 0.05 | 6100 | — | 9T58K4050 | \$34.50 |
| 208 x 240 Volts | 12/24 Volts | 0.1 | 8100 | — | 9T58K4051 | \$40.50 |
| 208 x 240 Volts | 12/24 Volts | 0.15 | 8150 | — | 9T58K4052 | \$48.50 |
| 208 x 240 Volts | 12/24 Volts | 0.25 | 8200 | — | 9T58K4053 | \$62.50 |

60 Hz Leads Out Connection¹

| Input Voltage | Output Voltage | KVA | Frame Size | Wiring Diagram No. ² | Product Number | List Price GO-80 |
|-----------------|----------------|-------|------------|---------------------------------|----------------|------------------|
| 240 x 480 Volts | 120/240 Volts | 0.05 | 6100 | 4 | 9T58K1802 | \$36.00 |
| 240 x 480 Volts | 120/240 Volts | 0.075 | 6125 | 4 | 9T58K1803 | \$42.00 |
| 240 x 480 Volts | 120/240 Volts | 0.1 | 8100 | 4 | 9T58K1804 | \$45.00 |
| 240 x 480 Volts | 120/240 Volts | 0.15 | 8150 | 4 | 9T58K1805 | \$57.50 |
| 240 x 480 Volts | 120/240 Volts | 0.2 | 8175 | 4 | 9T58K1806 | \$65.00 |
| 240 x 480 Volts | 120/240 Volts | 0.25 | 8200 | 4 | 9T58K1807 | \$73.00 |
| 240 x 480 Volts | 120/240 Volts | 0.3 | 8200 | 4 | 9T58K1808 | \$76.00 |
| 240 x 480 Volts | 120/240 Volts | 0.375 | 8250 | 4 | 9T58K1809 | \$96.00 |
| 240 x 480 Volts | 120/240 Volts | 0.5 | 10225 | 4 | 9T58K1810 | \$104.00 |
| 240 x 480 Volts | 120/240 Volts | 0.75 | 12225 | 4 | 9T58K1811 | \$128.00 |
| 240 x 480 Volts | 120/240 Volts | 1 | 12300 | 4 | 9T58K1812 | \$164.00 |
| 240 x 480 Volts | 120/240 Volts | 1.5 | 14225 | 4 | 9T58K1813 | \$215.00 |
| 240 x 480 Volts | 120/240 Volts | 2 | 14300 | 4 | 9T58K1814 | \$274.00 |
| 240 x 480 Volts | 120/240 Volts | 3 | 14475 | 4 | 9T58K1815 | \$360.00 |

¹Secondary fusing not available.

²See page 15-6 for wiring diagrams.



Transformers

Open Core and Coil Transformers

Control

Single-Phase

Section 15

60 Hz Leads Out Connection¹

| Input Voltage | Output Voltage | KVA | Frame Size | Wiring Diagram No. ² | Product Number | List Price GO-80 |
|---------------|----------------|-----|------------|---------------------------------|----------------|------------------|
| 600 Volts | 120/240 Volts | 0.1 | 8100 | 5 | 9T58K1824 | \$45.00 |
| 600 Volts | 120/240 Volts | 0.2 | 8175 | 5 | 9T58K1826 | \$65.00 |
| 600 Volts | 120/240 Volts | 0.3 | 8200 | 5 | 9T58K1828 | \$73.00 |
| 600 Volts | 120/240 Volts | 0.5 | 10225 | 5 | 9T58K1830 | \$104.00 |
| 600 Volts | 120/240 Volts | 1 | 12300 | 5 | 9T58K1832 | \$194.00 |
| 600 Volts | 120/240 Volts | 2 | 14300 | 5 | 9T58K1834 | \$306.00 |
| 600 Volts | 120/240 Volts | 3 | 14475 | 5 | 9T58K1835 | \$398.00 |

¹Secondary fusing not available.

²See page 15-6 for wiring diagrams.

60 Hz Leads Out Connection¹

| Input Voltage | Output Voltage | KVA | Frame Size | Wiring Diagram No. ² | Product Number | List Price GO-80 |
|-----------------|----------------|-------|------------|---------------------------------|----------------|------------------|
| 120 x 240 Volts | 12/24 Volts | 0.05 | 6100 | 7 | 9T58K1873 | \$29.00 |
| 120 x 240 Volts | 12/24 Volts | 0.075 | 6125 | 7 | 9T58K1874 | \$35.00 |
| 120 x 240 Volts | 12/24 Volts | 0.1 | 8100 | 7 | 9T58K1875 | \$39.00 |
| 120 x 240 Volts | 12/24 Volts | 0.15 | 8150 | 7 | 9T58K1876 | \$48.50 |
| 120 x 240 Volts | 12/24 Volts | 0.2 | 8175 | 7 | 9T58K1877 | \$58.50 |
| 120 x 240 Volts | 12/24 Volts | 0.25 | 8200 | 7 | 9T58K1878 | \$62.50 |
| 120 x 240 Volts | 12/24 Volts | 0.3 | 8200 | 7 | 9T58K1879 | \$67.00 |
| 120 x 240 Volts | 12/24 Volts | 0.5 | 10225 | 7 | 9T58K1881 | \$93.00 |

¹Secondary fusing not available.

²See page 15-6 for wiring diagrams.

50/60 Hz Terminal Board Connection

| Input Voltage | Output Voltage | KVA | Frame Size | Wiring Diagram No. ² | Product Number | List Price GO-80 |
|-------------------|----------------|------|------------|---------------------------------|----------------|------------------|
| 240 x 480 Volts | 120/240 Volts | 0.5 | 10225 | 4 | 9T58K2930 | \$104.00 |
| 240 x 480 Volts | 120/240 Volts | 0.75 | 12300 | 4 | 9T58K2931 | \$133.00 |
| 240 x 480 Volts | 120/240 Volts | 1 | 14225 | 4 | 9T58K2932 | \$171.00 |
| 240 x 480 Volts | 120/240 Volts | 1.5 | 14300 | 4 | 9T58K2933 | \$221.00 |
| 240 x 480 Volts | 120/240 Volts | 2 | 14475 | 4 | 9T58K2934 | \$285.00 |
| 240 x 480 Volts | 120/240 Volts | 3 | 14475 | 4 | 9T58K2935 | \$423.00 |
| 380/400/416 Volts | 115/230 Volts | 0.5 | 10225 | 8 | 9T58K2978 | \$104.00 |
| 380/400/416 Volts | 115/230 Volts | 0.75 | 12300 | 8 | 9T58K2979 | \$133.00 |
| 380/400/416 Volts | 115/230 Volts | 1 | 14225 | 8 | 9T58K2980 | \$171.00 |
| 380/400/416 Volts | 115/230 Volts | 1.5 | 14300 | 8 | 9T58K2981 | \$221.00 |
| 380/400/416 Volts | 115/230 Volts | 2 | 14475 | 8 | 9T58K2982 | \$285.00 |
| 380/400/416 Volts | 115/230 Volts | 3 | 14475 | 8 | 9T58K2983 | \$423.00 |

50/60 Hz Leads Out Connection¹

| Input Voltage | Output Voltage | KVA | Frame Size | Wiring Diagram No. ² | Product Number | List Price GO-80 |
|-------------------|----------------|------|------------|---------------------------------|----------------|------------------|
| 240 x 480 Volts | 120/240 Volts | 0.5 | 10225 | 4 | 9T58K1930 | \$104.00 |
| 240 x 480 Volts | 120/240 Volts | 0.75 | 12300 | 4 | 9T58K1931 | \$133.00 |
| 240 x 480 Volts | 120/240 Volts | 1.5 | 14300 | 4 | 9T58K1933 | \$221.00 |
| 240 x 480 Volts | 120/240 Volts | 3 | 14475 | 4 | 9T58K1935 | \$423.00 |
| 380/400/416 Volts | 115/230 Volts | 0.75 | 12300 | 8 | 9T58K1979 | \$133.00 |
| 380/400/416 Volts | 115/230 Volts | 1 | 14225 | 8 | 9T58K1980 | \$171.00 |
| 380/400/416 Volts | 115/230 Volts | 1.5 | 14300 | 8 | 9T58K1981 | \$221.00 |

¹Secondary fusing not available.

²See page 15-6 for wiring diagrams.

50/60 Hz Universal Voltage/Multitap Terminal Strip Connection

| KVA | Frame Size | Product Number | List Price GO-80 |
|------|------------|----------------|------------------|
| 0.25 | 1016 | 9T58K3715 | \$143.55 |
| 0.35 | 1016 | 9T58K3716 | \$146.00 |
| 0.5 | 12225 | 9T58K3717 | \$238.60 |
| 0.75 | 14225 | 9T58K3718 | \$280.90 |
| 1 | 14225 | 9T58K3719 | \$302.90 |
| 1.5 | 14300 | 9T58K3720 | \$309.00 |
| 2 | 14475 | 9T58K3721 | \$373.00 |

Voltage Table

| Incoming Voltage | | | | | Output Voltage | | | |
|------------------|----|-------|-------|-------|----------------|-------|-------|--|
| H1 | H2 | H1 H3 | H1 H4 | H1 H5 | X1 X2 | X1 X3 | X1 X4 | |
| 208 | | | 415 | 500 | 85 | 100 | 110 | |
| | | | | | 86 | 104 | 113 | |
| 220 | | 380 | 440 | 550 | 91 | 110 | 120 | |
| 230 | | 400 | 460 | 575 | 95 | 115 | 125 | |
| 240 | | 416 | 480 | 600 | 99 | 120 | 130 | |



Transformers

Open Core and Coil Transformers

Options and Fusing Guide

Encapsulated Transformer Options

| Accessory Type | Fuse Type | Product Number | List Price |
|---|---|---------------------------|----------------|
| Terminal Links (Standard Terminal Blocks) | | 9T58K0000G01 | \$0.80 |
| Fuse Clips Mounted on Terminals | Single 1/4" x 1 1/4" Glass Fuse | 9T58K0000G09 ¹ | \$2.05 |
| Fuse Blocks Mounted on Top of Transformer | Dual 9/16" x 2" H/K Fuses | 9T58K0000G05 | \$9.80 |
| Fuse Blocks Mounted on Top of Transformer | Single 9/16" x 2" H/K Fuses | 9T58K0000G10 | \$10.50 |
| Fuse Blocks Mounted on Top of Transformer | Dual 13/32" x 1 1/2" Class CC Fuses with Single 9/16" x 2" H/K Fuse | 9T58K0000G18 | \$11.80 |
| Fuse Blocks Mounted on Top of Transformer | Single 1/4" x 1 1/4" Glass Fuse | 9T58K0000G24 | \$4.40 |
| Fuse Blocks Mounted on Top of Transformer | Dual 13/32" x 1 1/2" Class CC Fuses with Single 13/32" x 1 1/2" Midget Fuse | 9T58K0000G38 | \$14.40 |
| Fuse Blocks Mounted on Top of Transformer | Single 13/32" x 1 1/2" Midget Fuse | 9T58K0000G42 | \$9.90 |
| Fuse Blocks Mounted on Top of Transformer | Dual 13/32" x 1 1/2" Class CC Fuses with Single 1/4" x 1 1/4" Glass Fuse | 9T58K0000G48 | \$12.20 |

¹Use G24 when the transformer is a series multiple or multitapped winding with no open terminals.

Fuse Guide

Midget Class CC Rejection Fuse

| Primary Voltage | Encapsulated Transformer Continuous Power Rating (VA) | | | | | | | | |
|-----------------|---|------|------|------|------|------|------|------|------|
| | 50 | 75 | 100 | 150 | 200 | 250 | 300 | 375 | 500 |
| | Fuse Rating (Amperes) | | | | | | | | |
| 100 | 1.50 | 2.00 | 3.00 | 4.00 | 3.00 | 4.00 | 5.00 | 6.00 | 8.00 |
| 110 | 1.25 | 2.00 | 2.50 | 4.00 | 5.00 | 3.00 | 4.00 | 5.00 | 7.00 |
| 120 | 1.25 | 1.60 | 2.50 | 3.00 | 5.00 | 3.00 | 4.00 | 5.00 | 6.00 |
| 200 | 0.75 | 1.00 | 1.50 | 2.00 | 3.00 | 3.00 | 4.00 | 5.00 | 4.00 |
| 208 | 0.60 | 1.00 | 1.25 | 2.00 | 2.50 | 3.00 | 4.00 | 5.00 | 4.00 |
| 220 | 0.60 | 1.00 | 1.25 | 2.00 | 2.50 | 3.00 | 4.00 | 5.00 | 3.00 |
| 230 | 0.60 | 0.80 | 1.25 | 1.60 | 2.50 | 3.00 | 3.00 | 4.00 | 3.00 |
| 240 | 0.60 | 0.80 | 1.25 | 1.60 | 2.50 | 3.00 | 3.00 | 4.00 | 3.00 |
| 277 | 0.50 | 0.80 | 1.00 | 1.60 | 2.00 | 2.50 | 3.00 | 4.00 | 5.00 |
| 380 | 0.30 | 0.50 | 0.75 | 1.00 | 1.50 | 1.60 | 2.00 | 2.50 | 3.00 |
| 400 | 0.30 | 0.50 | 0.75 | 1.00 | 1.50 | 1.60 | 2.00 | 2.50 | 3.00 |
| 416 | 0.30 | 0.50 | 0.60 | 1.00 | 1.25 | 1.60 | 2.00 | 2.50 | 3.00 |
| 440 | 0.30 | 0.50 | 0.60 | 1.00 | 1.25 | 1.60 | 2.00 | 2.50 | 3.00 |
| 460 | 0.30 | 0.40 | 0.60 | 0.80 | 1.25 | 1.60 | 1.60 | 2.00 | 3.00 |
| 480 | 0.30 | 0.40 | 0.60 | 0.80 | 1.25 | 1.50 | 1.60 | 2.00 | 3.00 |
| 550 | 0.25 | 0.40 | 0.50 | 0.80 | 1.00 | 1.25 | 1.60 | 2.00 | 2.50 |
| 575 | 0.25 | 0.30 | 0.50 | 0.75 | 1.00 | 1.25 | 1.50 | 1.60 | 2.50 |
| 600 | 0.25 | 0.30 | 0.50 | 0.75 | 1.00 | 1.25 | 1.50 | 1.60 | 2.50 |

For motor control circuits fusing, refer to NEC 430-72.

Secondary Fuse Selection

| Secondary Voltage | Encapsulated Transformer Continuous Power Rating (VA) | | | | | | | | | | | | | |
|-------------------|---|-------|-------|-------|-------|-------|-------|-------|-------|-----|------|------|------|------|
| | 50 | 75 | 100 | 150 | 200 | 250 | 300 | 375 | 500 | 750 | 1000 | 1500 | 2000 | 3000 |
| | Fuse Rating (Amperes) | | | | | | | | | | | | | |
| 12 | 6.00 | 10.00 | 12.00 | 15.00 | 20.00 | 25.00 | 30.00 | — | — | — | — | — | — | — |
| 24 | 3.00 | 5.00 | 6.00 | 10.00 | 12.00 | 12.00 | 15.00 | — | 25.00 | — | — | — | — | — |
| 36 | 2.00 | 3.00 | 4.00 | 6.00 | 8.00 | 10.00 | 12.00 | — | 15.00 | — | — | — | — | — |
| 48 | 1.60 | 2.50 | 3.00 | 5.00 | 6.00 | 8.00 | 10.00 | 12.00 | 12.00 | — | — | — | — | — |
| 95 | 0.80 | 1.25 | 1.60 | 2.50 | 3.00 | 4.00 | 5.00 | 6.00 | 8.00 | 12 | 15 | 20 | 25 | — |
| 110 | 0.75 | 1.00 | 1.50 | 2.00 | 3.00 | 3.00 | 4.00 | 5.00 | 7.00 | 10 | 12 | 20 | 25 | 30 |
| 115 | 0.60 | 1.00 | 1.25 | 2.00 | 2.50 | 3.00 | 4.00 | 5.00 | 7.00 | 10 | 12 | 20 | 20 | 30 |
| 120 | 0.60 | 1.00 | 1.25 | 2.00 | 2.50 | 3.00 | 4.00 | 5.00 | 6.00 | 10 | 12 | 15 | 20 | 30 |
| 208 | 0.40 | 0.60 | 0.80 | 1.00 | 1.60 | 2.00 | 2.00 | 3.00 | 4.00 | 6 | 8 | 12 | 15 | 20 |
| 220 | 0.30 | 0.50 | 0.75 | 1.00 | 1.50 | 1.60 | 2.00 | 2.50 | 3.00 | 5 | 7 | 10 | 12 | 20 |
| 230 | 0.30 | 0.50 | 0.60 | 1.00 | 1.25 | 1.60 | 2.00 | 2.50 | 3.00 | 5 | 7 | 10 | 12 | 20 |
| 240 | 0.30 | 0.50 | 0.60 | 1.00 | 1.25 | 1.60 | 2.00 | 2.50 | 3.00 | 5 | 6 | 10 | 12 | 15 |

Note: Encapsulated Transformer Continuous Power Rating (VA) 50-1500 are Glass Fuse, 2000-3000 are H/K Fuse.



Transformers
 Open Core and Coil Transformers
 Machine Tool Applications
 Control
 Wiring Diagrams

Section 15

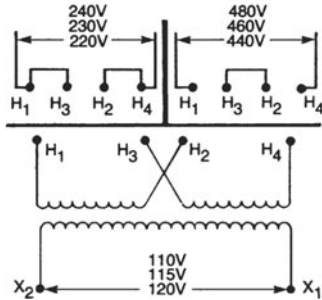


Diagram 1

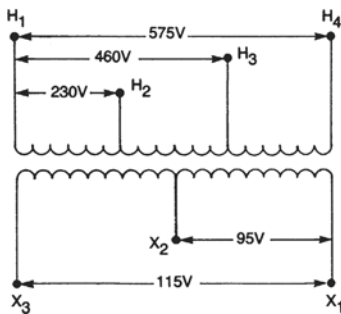


Diagram 2

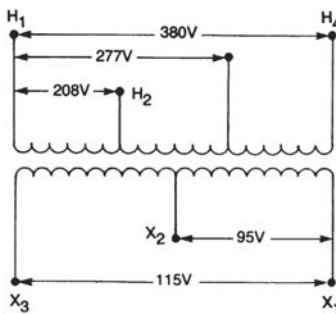


Diagram 3

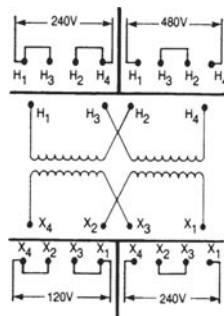


Diagram 4

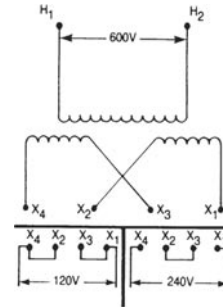


Diagram 5

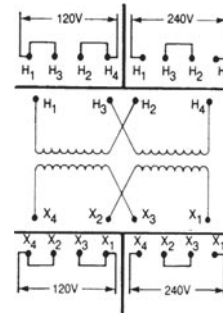


Diagram 6

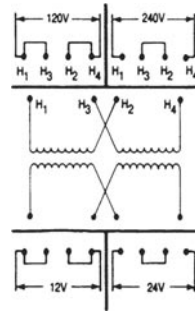


Diagram 7

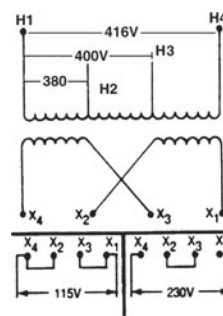


Diagram 8



Transformers

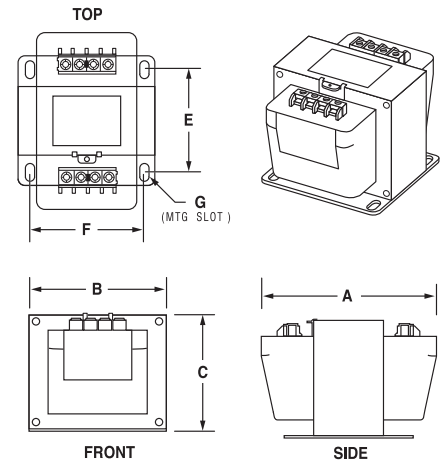
Open Core and Coil Transformers

Outlines and Dimensions

6, 8 and 10 Frame

Terminal Board Connection Style

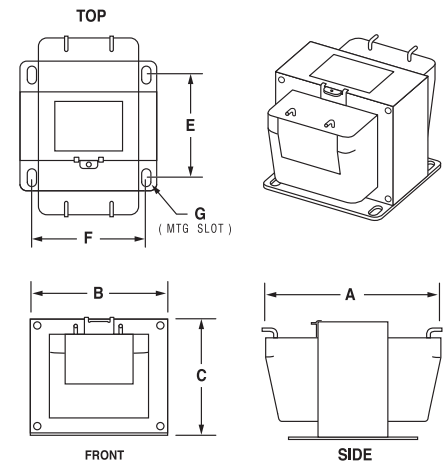
| Frame size | KVA | Approx. Net Weight (Lbs.) | A Depth (in.) | B Width (in.) | C Height (in.) | Mounting Depth E (in.) | Mounting Width F (in.) | Mounting Slot (in.) |
|------------|-------|---------------------------|---------------|---------------|----------------|------------------------|------------------------|---------------------|
| 6100 | 0.05 | 2.6 | 4 | 3.06 | 2.68 | 2.16 | 2.5 | .219 x .750 |
| 6125 | 0.075 | 3 | 4.25 | 3.06 | 2.68 | 2.41 | 2.5 | .219 x .750 |
| 8100 | 0.1 | 3.9 | 4.12 | 3.81 | 3.28 | 2.16 | 3.12 | .219 x .750 |
| 8150 | 0.15 | 5.5 | 4.62 | 3.81 | 3.28 | 2.66 | 3.12 | .219 x .750 |
| 8175 | 0.2 | 6.3 | 4.88 | 3.81 | 3.28 | 2.91 | 3.12 | .219 x .750 |
| 8200 | 0.25 | 7 | 5.12 | 3.81 | 3.28 | 3.16 | 3.12 | .219 x .750 |
| 8250 | 0.375 | 8.3 | 5.62 | 3.81 | 3.28 | 3.66 | 3.12 | .219 x .750 |
| 10225 | 0.5 | 11.6 | 5.75 | 4.56 | 3.9 | 3.38 | 3.75 | .297 x .580 |
| 12225 | 0.75 | 13 | 5.81 | 5.31 | 4.56 | 3.38 | 4 | .297 x .580 |
| 12300 | 1 | 17.5 | 6.56 | 5.31 | 4.56 | 4.13 | 4 | .297 x .580 |
| 14225 | 1.5 | 29 | 6.31 | 6.81 | 5.81 | 3.38 | 5.5 | .297 x .580 |
| 14300 | 2 | 35.5 | 7.06 | 6.81 | 5.81 | 4.13 | 5.5 | .297 x .580 |
| 14475 | 3 | 51.5 | 8.81 | 6.81 | 5.81 | 5.88 | 5.5 | .297 x .580 |



Terminal Board Connection Style

Leads Out Connection Style

| Frame size | KVA | Approx. Net Weight (Lbs.) | A Depth (in.) | B Width (in.) | C Height (in.) | Mounting Depth E (in.) | Mounting Width F (in.) | Mounting Slot (in.) |
|------------|-------|---------------------------|---------------|---------------|----------------|------------------------|------------------------|---------------------|
| 6100 | 0.05 | 2.6 | 3.25 | 3.06 | 2.68 | 2.16 | 2.5 | .219 x .750 |
| 6125 | 0.075 | 3 | 3.5 | 3.06 | 2.68 | 2.41 | 2.5 | .219 x .750 |
| 8100 | 0.1 | 3.9 | 3.42 | 3.81 | 3.28 | 2.16 | 3.12 | .219 x .750 |
| 8150 | 0.15 | 5.5 | 3.92 | 3.81 | 3.28 | 2.66 | 3.12 | .219 x .750 |
| 8175 | 0.2 | 6.3 | 4.18 | 3.81 | 3.28 | 2.91 | 3.12 | .219 x .750 |
| 8200 | 0.25 | 7 | 4.42 | 3.81 | 3.28 | 3.16 | 3.12 | .219 x .750 |
| 8200 | 0.3 | 7 | 4.42 | 3.81 | 3.28 | 3.16 | 3.12 | .219 x .750 |
| 8250 | 0.375 | 8.3 | 4.92 | 3.81 | 3.28 | 3.66 | 3.12 | .219 x .750 |
| 10225 | 0.5 | 11.6 | 5.75 | 4.56 | 3.9 | 3.38 | 3.75 | .297 x .580 |
| 12225 | 0.75 | 13 | 5.81 | 5.31 | 4.56 | 3.38 | 4 | .297 x .580 |
| 12300 | 1 | 17.5 | 6.56 | 5.31 | 4.56 | 4.13 | 4 | .297 x .580 |
| 14225 | 1.5 | 29 | 6.31 | 6.81 | 5.81 | 3.38 | 5.5 | .297 x .580 |
| 14300 | 2 | 35.5 | 7.06 | 6.81 | 5.81 | 4.13 | 5.5 | .297 x .580 |
| 14475 | 3 | 51.5 | 8.81 | 6.81 | 5.81 | 5.88 | 5.5 | .297 x .580 |



Leads Out Connection Style



Transformers

Open Core and Coil Transformers

CE-Rated

Application

The CE compliant transformer offering developed by GE is of the highest quality. This product is designed to be incorporated into equipment manufactured for sale in the European Community. This product is in conformity with the European Standard: EN 60 742, 1995 per the provisions of the Low Voltage (LV) Directive 73/23/EEC in 1973 as amended by 93/68/EEC in 1995.

The Type "IP" CE offering utilizes all copper windings, which are encapsulated in a hardened epoxy, making the winding impervious to the elements. These designs are rated at 55° C rise with a 40° C ambient. Standard on these designs are touch-proof terminal boards. These provide protection from current carrying terminals for personnel working on the equipment. These designs incorporate customer friendly connection on rugged high-impact molded terminal boards. Besides being CE rated, these designs are both UL and C-UL listed.



CE Compliant Transformer

50/60 Hz

| Input Voltage | Output Voltage | KVA | Frame Size | Product Number | List Price GO-80 |
|---------------------------------|---------------------------------|-------|------------|----------------|---------------------|
| 230/400 Volts | 12/24 Volts | 0.025 | 6100 | 9T58E0020 | \$36.00 |
| 230/400 Volts | 12/24 Volts | 0.05 | 6150 | 9T58E0021 | \$40.00 |
| 230/400 Volts | 12/24 Volts | 0.075 | 8100 | 9T58E0023 | \$46.00 |
| 230/400 Volts | 12/24 Volts | 0.1 | 8150 | 9T58E0024 | \$49.00 |
| 230/400 Volts | 12/24 Volts | 0.15 | 8200 | 9T58E0025 | \$61.00 |
| 230/400 Volts | 12/24 Volts | 0.2 | 10225 | 9T58E0026 | \$81.00 |
| 230/400 Volts | 12/24 Volts | 0.25 | 10225 | 9T58E0027 | \$91.00 |
| 230/400 Volts | 12/24 Volts | 0.3 | 10225 | 9T58E0028 | \$100.00 |
| 230/400 Volts | 12/24 Volts | 0.375 | 12225 | 9T58E0029 | \$114.00 |
| 230/400 Volts | 24/48 Volts | 0.025 | 6100 | 9T58E0060 | \$36.00 |
| 230/400 Volts | 24/48 Volts | 0.05 | 6150 | 9T58E0061 | \$40.00 |
| 230/400 Volts | 24/48 Volts | 0.075 | 8100 | 9T58E0063 | \$46.00 |
| 230/400 Volts | 24/48 Volts | 0.1 | 8150 | 9T58E0064 | \$49.00 |
| 230/400 Volts | 24/48 Volts | 0.15 | 8200 | 9T58E0065 | \$61.00 |
| 230/400 Volts | 24/48 Volts | 0.2 | 10225 | 9T58E0066 | \$81.00 |
| 230/400 Volts | 24/48 Volts | 0.25 | 10225 | 9T58E0067 | \$91.00 |
| 230/400 Volts | 24/48 Volts | 0.3 | 10225 | 9T58E0068 | \$100.00 |
| 230/400 Volts | 24/48 Volts | 0.375 | 12225 | 9T58E0069 | \$114.00 |
| 230/400 Volts | 24/48 Volts | 0.5 | 12300 | 9T58E0071 | \$139.00 |
| 230/400 Volts | 24/48 Volts | 0.75 | 14225 | 9T58E0073 | \$189.00 |
| 220/380, 230/400, 240/415 Volts | 110/220, 115/230, 120/240 Volts | 0.025 | 6100 | 9T58E0150 | \$36.00 |
| 220/380, 230/400, 240/415 Volts | 110/220, 115/230, 120/240 Volts | 0.05 | 6150 | 9T58E0151 | \$40.00 |
| 220/380, 230/400, 240/415 Volts | 110/220, 115/230, 120/240 Volts | 0.075 | 8100 | 9T58E0153 | \$46.00 |
| 220/380, 230/400, 240/415 Volts | 110/220, 115/230, 120/240 Volts | 0.1 | 8150 | 9T58E0154 | \$49.00 |
| 220/380, 230/400, 240/415 Volts | 110/220, 115/230, 120/240 Volts | 0.15 | 8200 | 9T58E0155 | \$61.00 |
| 220/380, 230/400, 240/415 Volts | 110/220, 115/230, 120/240 Volts | 0.2 | 10225 | 9T58E0156 | \$81.00 |
| 220/380, 230/400, 240/415 Volts | 110/220, 115/230, 120/240 Volts | 0.25 | 10225 | 9T58E0157 | \$91.00 |
| 220/380, 230/400, 240/415 Volts | 110/220, 115/230, 120/240 Volts | 0.3 | 10225 | 9T58E0158 | \$100.00 |
| 220/380, 230/400, 240/415 Volts | 110/220, 115/230, 120/240 Volts | 0.375 | 12225 | 9T58E0159 | \$114.00 |
| 220/380, 230/400, 240/415 Volts | 110/220, 115/230, 120/240 Volts | 0.5 | 12300 | 9T58E0161 | \$139.00 |
| 220/380, 230/400, 240/415 Volts | 110/220, 115/230, 120/240 Volts | 0.75 | 14225 | 9T58E0163 | \$189.00 |
| 220/380, 230/400, 240/415 Volts | 110/220, 115/230, 120/240 Volts | 0.1 | 14300 | 9T58E0164 | \$196.00 |
| 220/380, 230/400, 240/415 Volts | 110/220, 115/230, 120/240 Volts | 0.15 | 14475 | 9T58E0165 | \$253.00 |

Factory- or Field-Installed Options

Available as an option are two fuse blocks that have fuse covers that provide the touch safety like the terminal blocks. These can be ordered factory-installed or as kits.

In kit form order:

Fuse block for 2 class CC fuses is 9T58E0000G46, **List Price, \$28.00, GO-80.** Fuse block for 2 class CC and 1 Midget fuse is 9T58E0000G47, **List Price, \$42.00, GO-80.**

For factory installation add the G46 or G47 suffix to the transformer product number (example 9T58E0020G47).



Transformers

General Purpose Transformers in Enclosures

Dry-Type/Cased

Isolated
General Purpose
Single-Phase

General Information

The complete family of transformers from GE provide quiet, reliable transformer operation.

All of the dry-type transformers through 1,000 kVA are UL listed under the requirements of Standard 506 and 1561. In addition, each transformer meets the requirements of NEMA ST-20, 1992. Type QB, QMS, and QMS 3 models are C-UL listed.

General-purpose transformers are rated 600 Volts and below for supplying appliance, lighting, and power loads from electrical distribution systems. Standard distribution voltages are 600, 480, and 240 Volts; standard load voltages are 480, 240, 208, and 120 Volts. The transformer is used to obtain the load voltage from the distribution voltage. Since no vaults are required for installation, these transformers can be located right at the load to provide the correct voltage for the application. This eliminates the need for long, costly, low-voltage feeders.



Type QB, .050 kVA-3 kVA, Single-Phase



Type QMS, 5 kVA-25 kVA, Single-Phase

Construction—Types QB, QMS, and QMS 3

Core and coils are contained within a NEMA 3R nonventilated weatherproof enclosure. Type QB, QMS, and QMS 3 units feature encapsulated core and coils.

.050 - 3 kVA Indoor/Outdoor Type QB UL Listed C-UL Listed

| Input Voltage | Output Voltage | KVA | Frequency (Hz) | Taps | Wiring Diagram No. ¹ | Product Number | List Price GO-90A |
|----------------------------|----------------|-------|----------------|--|---------------------------------|----------------|-------------------|
| 240 x 480 Volts, 480 Volts | 120/240 Volts | 0.05 | 60 Hz | No taps | 1 | 9T51B0002 | \$82.00 |
| 240 x 480 Volts | 120/240 Volts | 0.05 | 50/60 Hz | No taps | 1 | 9T51B0502 | \$88.00 |
| 240 x 480 Volts, 480 Volts | 120/240 Volts | 0.075 | 60 Hz | No taps | 1 | 9T51B0003 | \$90.50 |
| 240 x 480 Volts | 120/240 Volts | 0.075 | 50/60 Hz | No taps | 1 | 9T51B0503 | \$96.50 |
| 240 x 480 Volts, 480 Volts | 120/240 Volts | 0.1 | 60 Hz | No taps | 1 | 9T51B0004 | \$98.50 |
| 240 x 480 Volts | 120/240 Volts | 0.1 | 50/60 Hz | No taps | 1 | 9T51B0504 | \$104.00 |
| 240 x 480 Volts, 480 Volts | 120/240 Volts | 0.15 | 60 Hz | No taps | 1 | 9T51B0005 | \$120.00 |
| 240 x 480 Volts | 120/240 Volts | 0.15 | 50/60 Hz | No taps | 1 | 9T51B0505 | \$126.00 |
| 240 x 480 Volts, 480 Volts | 120/240 Volts | 0.25 | 60 Hz | No taps | 1 | 9T51B0007 | \$141.00 |
| 240 x 480 Volts | 120/240 Volts | 0.25 | 50/60 Hz | No taps | 1 | 9T51B0507 | \$149.00 |
| 240 x 480 Volts, 480 Volts | 120/240 Volts | 0.5 | 60 Hz | No taps | 1 | 9T51B0008 | \$196.00 |
| 240 x 480 Volts | 120/240 Volts | 0.5 | 50/60 Hz | No taps | 1 | 9T51B0508 | \$207.00 |
| 240 x 480 Volts, 480 Volts | 120/240 Volts | 0.75 | 60 Hz | No taps | 1 | 9T51B0009 | \$254.00 |
| 240 x 480 Volts | 120/240 Volts | 0.75 | 50/60 Hz | No taps | 1 | 9T51B0509 | \$269.00 |
| 240 x 480 Volts, 480 Volts | 120/240 Volts | 1 | 60 Hz | No taps | 1 | 9T51B0010 | \$313.00 |
| 240 x 480 Volts | 120/240 Volts | 1 | 50/60 Hz | No taps | 1 | 9T51B0510 | \$334.00 |
| 240 x 480 Volts, 480 Volts | 120/240 Volts | 1.5 | 60 Hz | No taps | 1 | 9T51B0011 | \$382.00 |
| 240 x 480 Volts | 120/240 Volts | 1.5 | 50/60 Hz | No taps | 1 | 9T51B0511 | \$407.00 |
| 240 x 480 Volts, 480 Volts | 120/240 Volts | 2 | 60 Hz | No taps | 1 | 9T51B0012 | \$470.00 |
| 240 x 480 Volts | 120/240 Volts | 2 | 50/60 Hz | No taps | 1 | 9T51B0512 | \$498.00 |
| 240 x 480 Volts, 480 Volts | 120/240 Volts | 3 | 60 Hz | No taps | 1 | 9T51B0013 | \$582.00 |
| 240 x 480 Volts | 120/240 Volts | 3 | 50/60 Hz | No taps | 1 | 9T51B0513 | \$615.00 |
| 480 Volts | 120/240 Volts | 0.25 | 50/60 Hz | (2) 5% taps below rated primary volts | 2 | 9T51B0547 | \$149.00 |
| 480 Volts | 120/240 Volts | 0.5 | 50/60 Hz | (2) 5% taps below rated primary volts | 2 | 9T51B0548 | \$207.00 |
| 480 Volts | 120/240 Volts | 0.75 | 50/60 Hz | (2) 5% taps below rated primary volts | 2 | 9T51B0549 | \$269.00 |
| 480 Volts | 120/240 Volts | 1 | 60 Hz | (2) 5% taps below rated primary volts | 2 | 9T51B0050 | \$332.00 |
| 480 Volts | 120/240 Volts | 1 | 50/60 Hz | (2) 5% taps below rated primary volts | 2 | 9T51B0550 | \$334.00 |
| 480 Volts | 120/240 Volts | 1.5 | 60 Hz | (2) 5% taps below rated primary volts | 2 | 9T51B0051 | \$397.00 |
| 480 Volts | 120/240 Volts | 1.5 | 50/60 Hz | (2) 5% taps below rated primary volts | 2 | 9T51B0551 | \$407.00 |
| 480 Volts | 120/240 Volts | 2 | 60 Hz | (2) 5% taps below rated primary volts | 2 | 9T51B0052 | \$489.00 |
| 480 Volts | 120/240 Volts | 2 | 50/60 Hz | (2) 5% taps below rated primary volts | 2 | 9T51B0552 | \$498.00 |
| 480 Volts | 120/240 Volts | 3 | 60 Hz | (2) 5% taps below rated primary volts | 2 | 9T51B0053 | \$601.00 |
| 480 Volts | 120/240 Volts | 3 | 60 Hz | (4) 2 1/2% taps: 2 above and 2 below rated primary volts | 3 | 9T51B0135 | \$695.00 |
| 480 Volts | 120/240 Volts | 3 | 50/60 Hz | (2) 5% taps below rated primary volts | 2 | 9T51B0553 | \$615.00 |

¹See page 15-14 for wiring diagrams.



Transformers

General Purpose Transformers in Enclosures

Dry-Type/Cased

Isolated
General Purpose
Single-Phase

Section 15

.050 - 3 KVA Indoor/Outdoor Type QB UL Listed C-UL Listed (Continued)

| Input Voltage | Output Voltage | KVA | Frequency (Hz) | Taps | Wiring Diagram No. ¹ | Product Number | List Price GO-90A |
|---------------|----------------|-------|----------------|---------------------------------------|---------------------------------|----------------|-------------------|
| 600 Volts | 120/240 Volts | 0.05 | 60 Hz | No taps | 5 | 9T51B0082 | \$85.00 |
| 600 Volts | 120/240 Volts | 0.075 | 60 Hz | No taps | 5 | 9T51B0083 | \$94.50 |
| 600 Volts | 120/240 Volts | 0.1 | 60 Hz | No taps | 5 | 9T51B0084 | \$102.00 |
| 600 Volts | 120/240 Volts | 0.1 | 50/60 Hz | No taps | 5 | 9T51B0584 | \$108.00 |
| 600 Volts | 120/240 Volts | 0.15 | 60 Hz | No taps | 5 | 9T51B0085 | \$123.00 |
| 600 Volts | 120/240 Volts | 0.25 | 60 Hz | No taps | 5 | 9T51B0087 | \$154.00 |
| 600 Volts | 120/240 Volts | 0.25 | 50/60 Hz | No taps | 5 | 9T51B0587 | \$164.00 |
| 600 Volts | 120/240 Volts | 0.25 | 50/60 Hz | (2) 5% taps below rated primary volts | 2 | 9T51B0567 | \$179.00 |
| 600 Volts | 120/240 Volts | 0.5 | 60 Hz | No taps | 5 | 9T51B0088 | \$204.00 |
| 600 Volts | 120/240 Volts | 0.5 | 50/60 Hz | No taps | 5 | 9T51B0588 | \$218.00 |
| 600 Volts | 120/240 Volts | 0.5 | 50/60 Hz | (2) 5% taps below rated primary volts | 2 | 9T51B0568 | \$231.00 |
| 600 Volts | 120/240 Volts | 0.75 | 60 Hz | No taps | 5 | 9T51B0089 | \$267.00 |
| 600 Volts | 120/240 Volts | 0.75 | 50/60 Hz | (2) 5% taps below rated primary volts | 2 | 9T51B0569 | \$294.00 |
| 600 Volts | 120/240 Volts | 1 | 60 Hz | No taps | 5 | 9T51B0090 | \$330.00 |
| 600 Volts | 120/240 Volts | 1 | 60 Hz | (2) 5% taps below rated primary volts | 2 | 9T51B0070 | \$347.00 |
| 600 Volts | 120/240 Volts | 1 | 50/60 Hz | (2) 5% taps below rated primary volts | 2 | 9T51B0570 | \$361.00 |
| 600 Volts | 120/240 Volts | 1.5 | 60 Hz | No taps | 5 | 9T51B0091 | \$410.00 |
| 600 Volts | 120/240 Volts | 1.5 | 60 Hz | (2) 5% taps below rated primary volts | 2 | 9T51B0071 | \$420.00 |
| 600 Volts | 120/240 Volts | 1.5 | 50/60 Hz | (2) 5% taps below rated primary volts | 2 | 9T51B0571 | \$445.00 |
| 600 Volts | 120/240 Volts | 2 | 60 Hz | No taps | 5 | 9T51B0092 | \$489.00 |
| 600 Volts | 120/240 Volts | 2 | 60 Hz | (2) 5% taps below rated primary volts | 2 | 9T51B0072 | \$512.00 |
| 600 Volts | 120/240 Volts | 2 | 50/60 Hz | (2) 5% taps below rated primary volts | 2 | 9T51B0572 | \$542.00 |
| 600 Volts | 120/240 Volts | 3 | 60 Hz | No taps | 5 | 9T51B0093 | \$601.00 |
| 600 Volts | 120/240 Volts | 3 | 60 Hz | (2) 5% taps below rated primary volts | 2 | 9T51B0073 | \$655.00 |
| 600 Volts | 120/240 Volts | 3 | 50/60 Hz | (2) 5% taps below rated primary volts | 2 | 9T51B0573 | \$693.00 |

5 - 25 KVA Indoor/Outdoor Type QMS 115°C Rise UL Listed C-UL Listed

| Input Voltage | Output Voltage | KVA | Frequency (Hz) | Taps | Wiring Diagram No. ¹ | Product Number | List Price GO-90C |
|----------------------------|----------------|-----|----------------|--|---------------------------------|----------------|-------------------|
| 240 x 480 Volts | 120/240 Volts | 5 | 60 Hz | No taps | 1 | 9T21B1004G02 | \$802.00 |
| 240 x 480 Volts, 480 Volts | 120/240 Volts | 5 | 50/60 Hz | No taps | 1 | 9T21B1055G02 | \$890.00 |
| 240 x 480 Volts | 120/240 Volts | 7.5 | 60 Hz | No taps | 1 | 9T21B1005G02 | \$1113.00 |
| 240 x 480 Volts, 480 Volts | 120/240 Volts | 7.5 | 50/60 Hz | No taps | 1 | 9T21B1056G02 | \$1241.00 |
| 240 x 480 Volts | 120/240 Volts | 10 | 60 Hz | No taps | 1 | 9T21B1006G02 | \$1426.00 |
| 240 x 480 Volts, 480 Volts | 120/240 Volts | 10 | 50/60 Hz | No taps | 1 | 9T21B1057G02 | \$1575.00 |
| 240 x 480 Volts | 120/240 Volts | 15 | 60 Hz | No taps | 1 | 9T21B9103 | \$1943.00 |
| 240 x 480 Volts, 480 Volts | 120/240 Volts | 15 | 50/60 Hz | No taps | 1 | 9T21B9133 | \$2159.00 |
| 240 x 480 Volts | 120/240 Volts | 25 | 60 Hz | No taps | 1 | 9T21B9104 | \$2894.00 |
| 240 x 480 Volts, 480 Volts | 120/240 Volts | 25 | 50/60 Hz | No taps | 1 | 9T21B9134 | \$3186.00 |
| 480 Volts | 120/240 Volts | 5 | 60 Hz | (2) 5% taps below rated primary volts | 2 | 9T21B1007G02 | \$821.00 |
| 480 Volts | 120/240 Volts | 5 | 60 Hz | (4) 2 1/2% taps: 2 above and 2 below rated primary volts | 3 | 9T21B1013G02 | \$909.00 |
| 480 Volts | 120/240 Volts | 7.5 | 60 Hz | (2) 5% taps below rated primary volts | 2 | 9T21B1008G02 | \$1128.00 |
| 480 Volts | 120/240 Volts | 7.5 | 60 Hz | (4) 2 1/2% taps: 2 above and 2 below rated primary volts | 3 | 9T21B1014G02 | \$1247.00 |
| 480 Volts | 120/240 Volts | 10 | 60 Hz | (2) 5% taps below rated primary volts | 2 | 9T21B1009G02 | \$1451.00 |
| 480 Volts | 120/240 Volts | 10 | 60 Hz | (4) 2 1/2% taps: 2 above and 2 below rated primary volts | 3 | 9T21B1015G02 | \$1583.00 |
| 480 Volts | 120/240 Volts | 15 | 60 Hz | (2) 5% taps below rated primary volts | 2 | 9T21B9105 | \$1966.00 |
| 480 Volts | 120/240 Volts | 15 | 60 Hz | (4) 2 1/2% taps: 2 above and 2 below rated primary volts | 3 | 9T21B9109 | \$2159.00 |
| 480 Volts | 120/240 Volts | 25 | 60 Hz | (2) 5% taps below rated primary volts | 2 | 9T21B9106 | \$2917.00 |
| 480 Volts | 120/240 Volts | 25 | 60 Hz | (4) 2 1/2% taps: 2 above and 2 below rated primary volts | 3 | 9T21B9110 | \$3186.00 |
| 600 Volts | 120/240 Volts | 5 | 60 Hz | No taps | 5 | 9T21B1016G02 | \$859.00 |
| 600 Volts | 120/240 Volts | 5 | 60 Hz | (2) 5% taps below rated primary volts | 2 | 9T21B1019G02 | \$890.00 |
| 600 Volts | 120/240 Volts | 7.5 | 60 Hz | No taps | 5 | 9T21B1017G02 | \$1189.00 |
| 600 Volts | 120/240 Volts | 7.5 | 60 Hz | (2) 5% taps below rated primary volts | 2 | 9T21B1020G02 | \$1224.00 |
| 600 Volts | 120/240 Volts | 10 | 60 Hz | No taps | 5 | 9T21B1018G02 | \$1512.00 |
| 600 Volts | 120/240 Volts | 10 | 60 Hz | (2) 5% taps below rated primary volts | 2 | 9T21B1021G02 | \$1420.00 |
| 600 Volts | 120/240 Volts | 15 | 60 Hz | No taps | 5 | 9T21B9111 | \$2060.00 |
| 600 Volts | 120/240 Volts | 15 | 60 Hz | (2) 5% taps below rated primary volts | 2 | 9T21B9113 | \$2134.00 |
| 600 Volts | 120/240 Volts | 25 | 60 Hz | No taps | 5 | 9T21B9112 | \$3081.00 |
| 600 Volts | 120/240 Volts | 25 | 60 Hz | (2) 5% taps below rated primary volts | 2 | 9T21B9114 | \$3196.00 |

¹See page 15-14 for wiring diagrams.



Transformers

General Purpose Transformers in Enclosures

Dry-Type/Cased

Isolated
General Purpose
Single-Phase

Section 15

.050 - 3 kVA Indoor/Outdoor Type QB UL Listed C-UL Listed

| Input Voltage | Output Voltage | KVA | Frequency (Hz) | Taps | Wiring Diagram No. ¹ | Product Number | List Price GO-90A |
|-----------------|----------------|------|----------------|---------|---------------------------------|----------------|-------------------|
| 120 x 240 Volts | 120/240 Volts | 0.05 | 60 Hz | No taps | 1 | 9T51B0022 | \$93.50 |
| 120 x 240 Volts | 120/240 Volts | 0.1 | 60 Hz | No taps | 1 | 9T51B0024 | \$110.00 |
| 120 x 240 Volts | 120/240 Volts | 0.15 | 60 Hz | No taps | 1 | 9T51B0025 | \$137.00 |
| 120 x 240 Volts | 120/240 Volts | 0.25 | 60 Hz | No taps | 1 | 9T51B0027 | \$158.00 |
| 120 x 240 Volts | 120/240 Volts | 0.5 | 60 Hz | No taps | 1 | 9T51B0028 | \$221.00 |
| 120 x 240 Volts | 120/240 Volts | 0.75 | 60 Hz | No taps | 1 | 9T51B0029 | \$281.00 |
| 120 x 240 Volts | 120/240 Volts | 1 | 60 Hz | No taps | 1 | 9T51B0030 | \$355.00 |
| 120 x 240 Volts | 120/240 Volts | 1.5 | 60 Hz | No taps | 1 | 9T51B0031 | \$437.00 |
| 120 x 240 Volts | 120/240 Volts | 2 | 60 Hz | No taps | 1 | 9T51B0032 | \$533.00 |
| 120 x 240 Volts | 120/240 Volts | 3 | 60 Hz | No taps | 1 | 9T51B0033 | \$645.00 |
| 208 Volts | 120/240 Volts | 0.5 | 60 Hz | No taps | 4 | 9T51B0158 | \$218.00 |
| 208 Volts | 120/240 Volts | 0.75 | 60 Hz | No taps | 4 | 9T51B0159 | \$333.93 |
| 208 Volts | 120/240 Volts | 1 | 60 Hz | No taps | 4 | 9T51B0160 | \$303.00 |
| 208 Volts | 120/240 Volts | 2 | 60 Hz | No taps | 4 | 9T51B0156 | \$533.00 |
| 208 Volts | 120/240 Volts | 3 | 60 Hz | No taps | 4 | 9T51B0157 | \$645.00 |

5 - 25 kVA Indoor/Outdoor Type QMS 115°C Rise UL Listed C-UL Listed

| Input Voltage | Output Voltage | KVA | Frequency (Hz) | Taps | Wiring Diagram No. ¹ | Product Number | List Price GO-90C |
|-----------------|----------------|-----|----------------|---------|---------------------------------|----------------|-------------------|
| 120 x 240 Volts | 120/240 Volts | 5 | 60 Hz | No taps | 1 | 9T21B1001G02 | \$964.00 |
| 120 x 240 Volts | 120/240 Volts | 7.5 | 60 Hz | No taps | 1 | 9T21B1002G02 | \$1342.00 |
| 120 x 240 Volts | 120/240 Volts | 10 | 60 Hz | No taps | 1 | 9T21B1003G02 | \$1712.00 |
| 120 x 240 Volts | 120/240 Volts | 15 | 60 Hz | No taps | 1 | 9T21B9101 | \$262.00 |
| 120 x 240 Volts | 120/240 Volts | 25 | 60 Hz | No taps | 1 | 9T21B9102 | \$3018.00 |
| 208 Volts | 120/240 Volts | 5 | 60 Hz | No taps | 4 | 9T21B1028G02 | \$964.00 |
| 208 Volts | 120/240 Volts | 7.5 | 60 Hz | No taps | 4 | 9T21B1029G02 | \$1342.00 |
| 208 Volts | 120/240 Volts | 10 | 60 Hz | No taps | 4 | 9T21B1030G02 | \$1712.00 |
| 208 Volts | 120/240 Volts | 15 | 60 Hz | No taps | 4 | 9T21B9119 | \$2262.00 |
| 208 Volts | 120/240 Volts | 25 | 60 Hz | No taps | 4 | 9T21B9120 | \$3018.00 |

.050 - 3 kVA Indoor/Outdoor Type QB UL Listed C-UL Listed

| Input Voltage | Output Voltage | KVA | Frequency (Hz) | Taps | Wiring Diagram No. ¹ | Product Number | List Price GO-90A |
|-------------------|----------------|------|----------------|---------------------------------------|---------------------------------|----------------|-------------------|
| 277 Volts | 120/240 Volts | 0.25 | 60 Hz | (2) 5% taps below rated primary volts | 2 | 9T51B0187 | \$166.00 |
| 277 Volts | 120/240 Volts | 0.5 | 60 Hz | (2) 5% taps below rated primary volts | 2 | 9T51B0188 | \$239.00 |
| 277 Volts | 120/240 Volts | 0.75 | 60 Hz | (2) 5% taps below rated primary volts | 2 | 9T51B0189 | \$311.00 |
| 277 Volts | 120/240 Volts | 1 | 60 Hz | (2) 5% taps below rated primary volts | 2 | 9T51B0190 | \$389.00 |
| 277 Volts | 120/240 Volts | 1.5 | 60 Hz | (2) 5% taps below rated primary volts | 2 | 9T51B0191 | \$475.00 |
| 277 Volts | 120/240 Volts | 2 | 60 Hz | (2) 5% taps below rated primary volts | 2 | 9T51B0192 | \$578.00 |
| 277 Volts | 120/240 Volts | 3 | 60 Hz | (2) 5% taps below rated primary volts | 2 | 9T51B0193 | \$659.00 |
| 380/400/416 Volts | 120/240 Volts | 0.05 | 50/60 Hz | No taps | 2 | 9T51B0162 | \$97.50 |
| 380/400/416 Volts | 120/240 Volts | 0.15 | 50/60 Hz | No taps | 2 | 9T51B0165 | \$142.00 |
| 380/400/416 Volts | 120/240 Volts | 0.25 | 50/60 Hz | No taps | 2 | 9T51B0167 | \$164.00 |
| 380/400/416 Volts | 120/240 Volts | 0.5 | 50/60 Hz | No taps | 2 | 9T51B0168 | \$231.00 |
| 380/400/416 Volts | 120/240 Volts | 0.75 | 50/60 Hz | No taps | 2 | 9T51B0169 | \$302.00 |
| 380/400/416 Volts | 120/240 Volts | 1 | 50/60 Hz | No taps | 2 | 9T51B0170 | \$376.00 |
| 380/400/416 Volts | 120/240 Volts | 1.5 | 50/60 Hz | No taps | 2 | 9T51B0171 | \$464.00 |
| 380/400/416 Volts | 120/240 Volts | 2 | 50/60 Hz | No taps | 2 | 9T51B0172 | \$563.00 |
| 380/400/416 Volts | 120/240 Volts | 3 | 50/60 Hz | No taps | 2 | 9T51B0173 | \$645.00 |

5 - 25 kVA Indoor/Outdoor Type QMS 115°C Rise UL Listed C-UL Listed

| Input Voltage | Output Voltage | KVA | Frequency (Hz) | Taps | Wiring Diagram No. ¹ | Product Number | List Price GO-90C |
|---------------|----------------|-----|----------------|---------------------------------------|---------------------------------|----------------|-------------------|
| 277 Volts | 120/240 Volts | 5 | 60 Hz | (2) 5% taps below rated primary volts | 2 | 9T21B1046G02 | \$964.00 |
| 277 Volts | 120/240 Volts | 7.5 | 60 Hz | (2) 5% taps below rated primary volts | 2 | 9T21B1047G02 | \$1342.00 |
| 277 Volts | 120/240 Volts | 10 | 60 Hz | (2) 5% taps below rated primary volts | 2 | 9T21B1048G02 | \$1712.00 |
| 277 Volts | 120/240 Volts | 15 | 60 Hz | (2) 5% taps below rated primary volts | 2 | 9T21B9143 | \$2262.00 |
| 277 Volts | 120/240 Volts | 25 | 60 Hz | (2) 5% taps below rated primary volts | 2 | 9T21B9144 | \$3018.00 |

¹See page 15-14 for wiring diagrams.



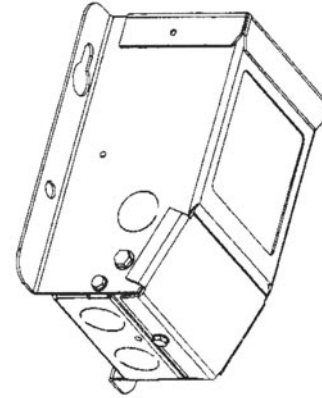
Transformers

General Purpose Transformers in Enclosures

Section 15

Type QB

Isolated
CE-Rated



CE Compliant Transformer

Safety Isolation 50/60 Hz

| Input Voltage | Output Voltage | KVA | Frame Size | Depth (in) | Width (in) | Height (in) | Product Number | List Price |
|---------------|----------------|-------|------------|------------|------------|-------------|----------------|------------|
| 230/400 Volts | 12/24 Volts | 0.075 | 8 | 4.25 | 6.12 | 7.38 | 9T51E0023 | \$105.00 |
| 230/400 Volts | 12/24 Volts | 0.15 | 8 | 4.25 | 6.12 | 7.38 | 9T51E0025 | \$145.00 |
| 230/400 Volts | 12/24 Volts | 0.25 | 10 | 4.88 | 6.88 | 8.35 | 9T51E0027 | \$225.00 |

Isolation 50/60 Hz

| Input Voltage | Output Voltage | KVA | Frame Size | Depth (in) | Width (in) | Height (in) | Product Number | List Price |
|---------------|----------------|------|------------|------------|------------|-------------|----------------|------------|
| 230/400 Volts | 24/48 Volts | 0.2 | 10 | 4.88 | 6.88 | 8.35 | 9T51E0066 | \$210.00 |
| 230/400 Volts | 24/48 Volts | 0.3 | 10 | 4.88 | 6.88 | 8.35 | 9T51E0068 | \$240.00 |
| 230/400 Volts | 24/48 Volts | 0.75 | 14 | 6.72 | 9.38 | 11.12 | 9T51E0073 | \$407.00 |

Isolation (Triple-Rated) 50/60 Hz

| Input Voltage | Output Voltage | KVA | Frame Size | Depth (in) | Width (in) | Height (in) | Product Number | List Price |
|---------------------------------|---------------------------------|-------|------------|------------|------------|-------------|----------------|------------|
| 220/380, 230/400, 240/415 Volts | 110/220, 115/230, 120/240 Volts | 0.1 | 8 | 4.25 | 6.12 | 7.38 | 9T51E0154 | \$128.00 |
| 220/380, 230/400, 240/415 Volts | 110/220, 115/230, 120/240 Volts | 0.15 | 8 | 4.25 | 6.12 | 7.38 | 9T51E0155 | \$145.00 |
| 220/380, 230/400, 240/415 Volts | 110/220, 115/230, 120/240 Volts | 0.2 | 10 | 4.88 | 6.88 | 8.35 | 9T51E0156 | \$210.00 |
| 220/380, 230/400, 240/415 Volts | 110/220, 115/230, 120/240 Volts | 0.25 | 10 | 4.88 | 6.88 | 8.35 | 9T51E0157 | \$225.00 |
| 220/380, 230/400, 240/415 Volts | 110/220, 115/230, 120/240 Volts | 0.3 | 10 | 4.88 | 6.88 | 8.35 | 9T51E0158 | \$240.00 |
| 220/380, 230/400, 240/415 Volts | 110/220, 115/230, 120/240 Volts | 0.375 | 12 | 5.5 | 7.88 | 9.62 | 9T51E0159 | \$275.00 |
| 220/380, 230/400, 240/415 Volts | 110/220, 115/230, 120/240 Volts | 0.5 | 12 | 5.5 | 7.88 | 9.62 | 9T51E0161 | \$335.00 |
| 220/380, 230/400, 240/415 Volts | 110/220, 115/230, 120/240 Volts | 0.1 | 14 | 6.72 | 9.38 | 11.12 | 9T51E0164 | \$498.00 |
| 220/380, 230/400, 240/415 Volts | 110/220, 115/230, 120/240 Volts | 0.15 | 14 | 6.72 | 9.38 | 11.12 | 9T51E0165 | \$615.00 |

For additional voltage requirements and available QMS single-phase CE designs, contact your GE Energy Sales Office or GE authorized distributor.



Transformers

General Purpose Transformers in Enclosures

Dry-Type/Cased

Dimensions and Weights

Type QB Single-Phase 60, 50/60 Hz

| KVA | Height (in) | Width (in) | Depth (in) | Approx. Net Weight (lbs.) |
|-------|-------------|------------|------------|---------------------------|
| 0.05 | 6.38 | 5.13 | 3.25 | 6 |
| 0.075 | 6.38 | 5.13 | 3.25 | 6 |
| 0.1 | 6.38 | 5.13 | 3.25 | 6 |
| 0.15 | 7.38 | 6.13 | 4.25 | 10 |
| 0.25 | 7.38 | 6.13 | 4.25 | 10 |
| 0.5 | 8.38 | 6.88 | 4.88 | 16 |
| 0.75 | 9.63 | 7.88 | 5.5 | 25 |
| 1 | 9.63 | 7.88 | 5.5 | 25 |
| 1.5 | 11.13 | 9.38 | 6.72 | 40 |
| 2 | 11.13 | 9.38 | 6.72 | 40 |
| 3 | 11.13 | 9.38 | 6.72 | 60 |

Type QMS Single-Phase 60 Hz 115°C Rise

| KVA | Height (in) | Width (in) | Depth (in) | Approx. Net Weight (lbs.) |
|-----|-------------|------------|------------|---------------------------|
| 5 | 14.5 | 10.75 | 11.16 | 100 |
| 7.5 | 17.12 | 10.75 | 11.16 | 180 |
| 10 | 17.10 | 12.16 | 12.72 | 180 |
| 15 | 17.10 | 12.16 | 12.72 | 230 |
| 25 | 19.84 | 16.01 | 15.68 | 400 |

Type QMS Single-Phase 50/60 Hz 115°C Rise

| KVA | Height (in) | Width (in) | Depth (in) | Approx. Net Weight (lbs.) |
|-----|-------------|------------|------------|---------------------------|
| 5 | 14.5 | 10.75 | 11.16 | 115 |
| 7.5 | 17.12 | 10.75 | 11.16 | 174 |
| 10 | 17.10 | 12.16 | 12.72 | 230 |
| 15 | 17.10 | 12.16 | 12.72 | 265 |
| 25 | 19.84 | 16.01 | 15.68 | 440 |

Conversion Chart

| Decimal | Fraction |
|---------|----------|
| .13 | 1/8 |
| .38 | 3/8 |
| .63 | 5/8 |
| .88 | 7/8 |



Transformers

General Purpose Transformers in Enclosures

Dry-Type/Cased

Wiring Diagrams

Section 15

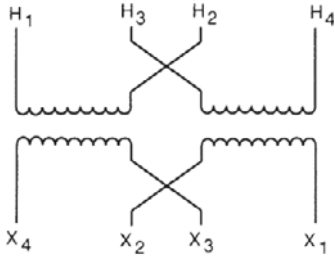


Diagram 1

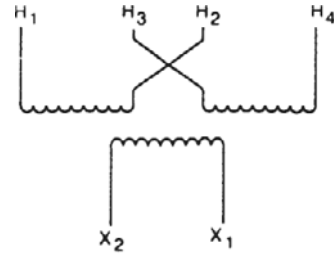


Diagram 4

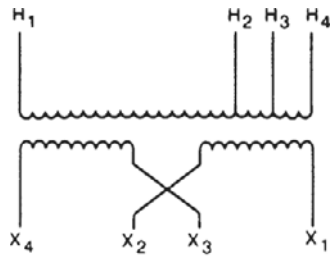


Diagram 2

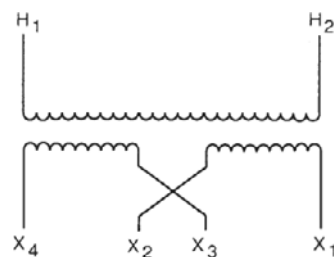


Diagram 5

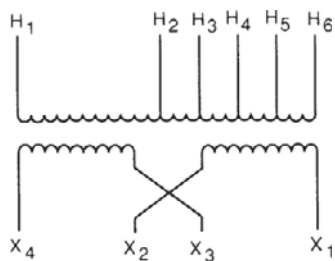


Diagram 3

